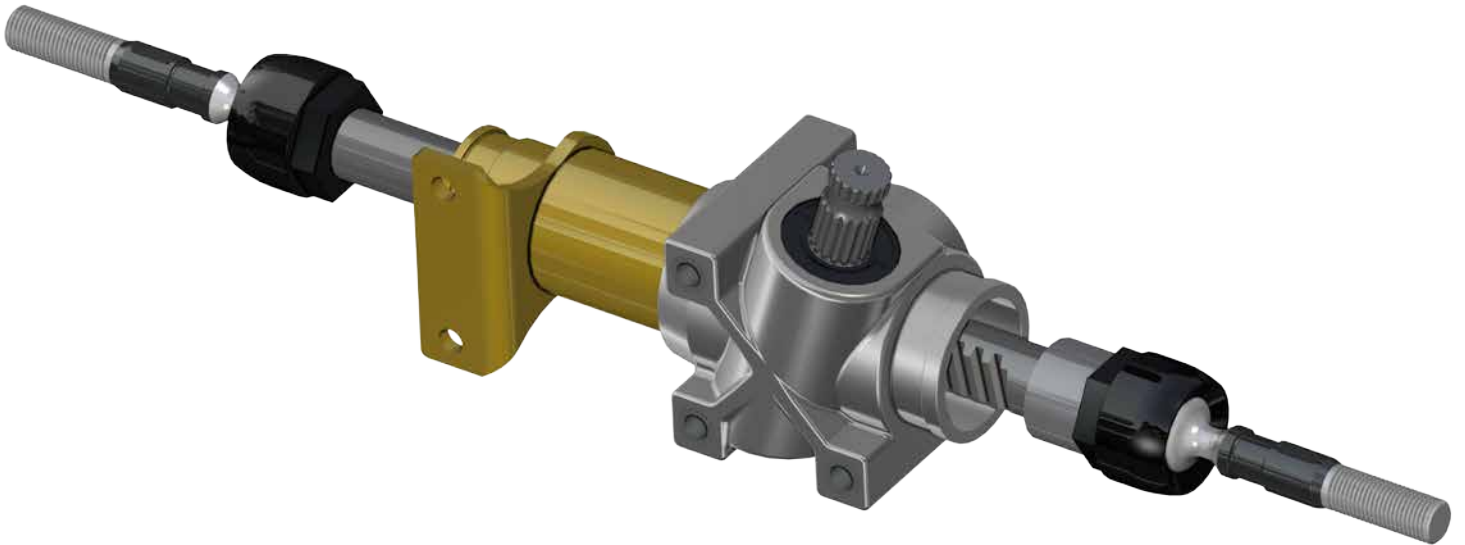
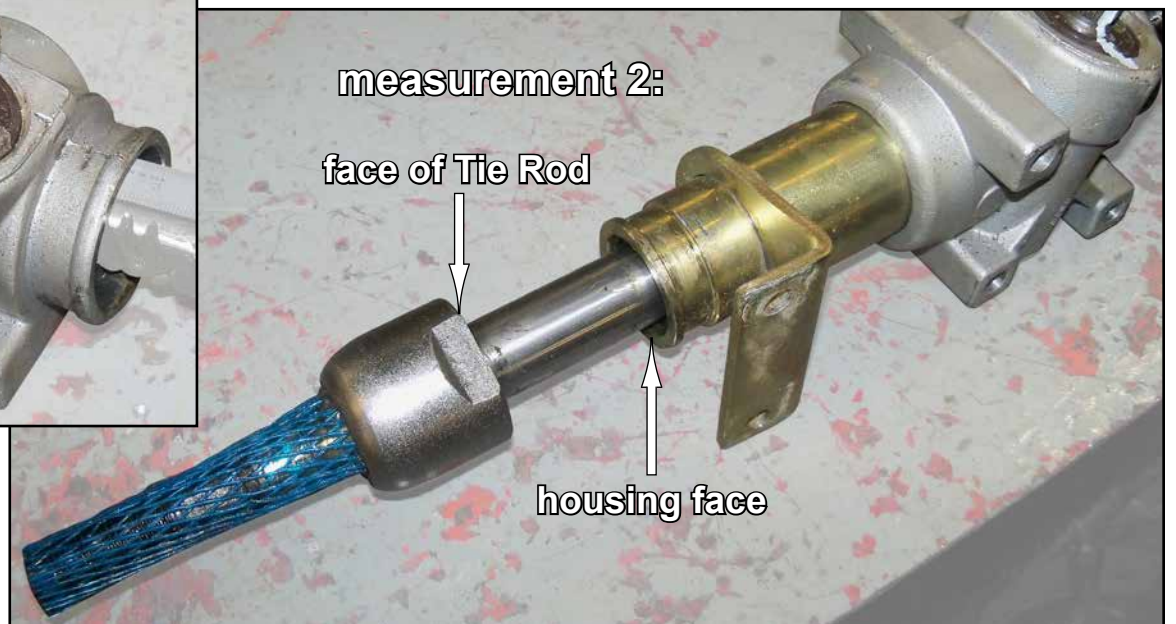
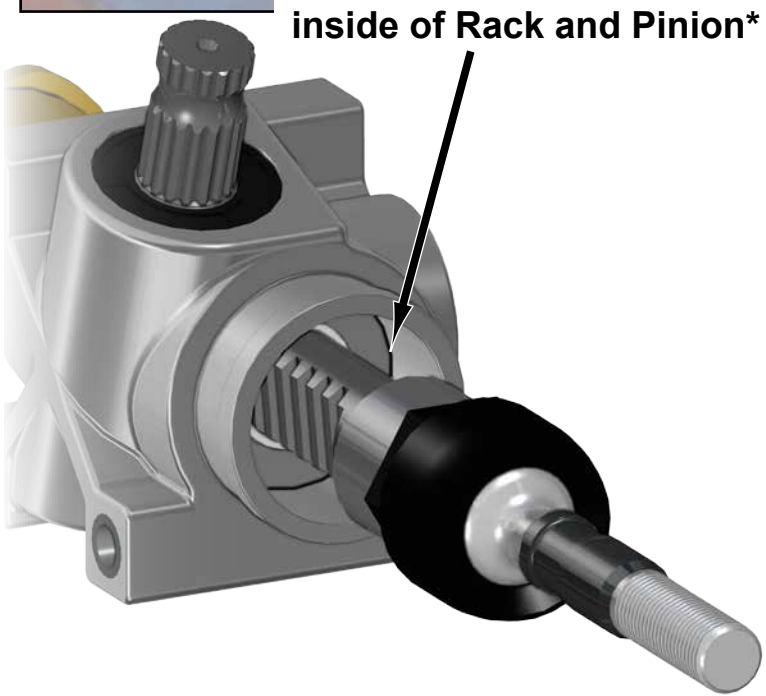
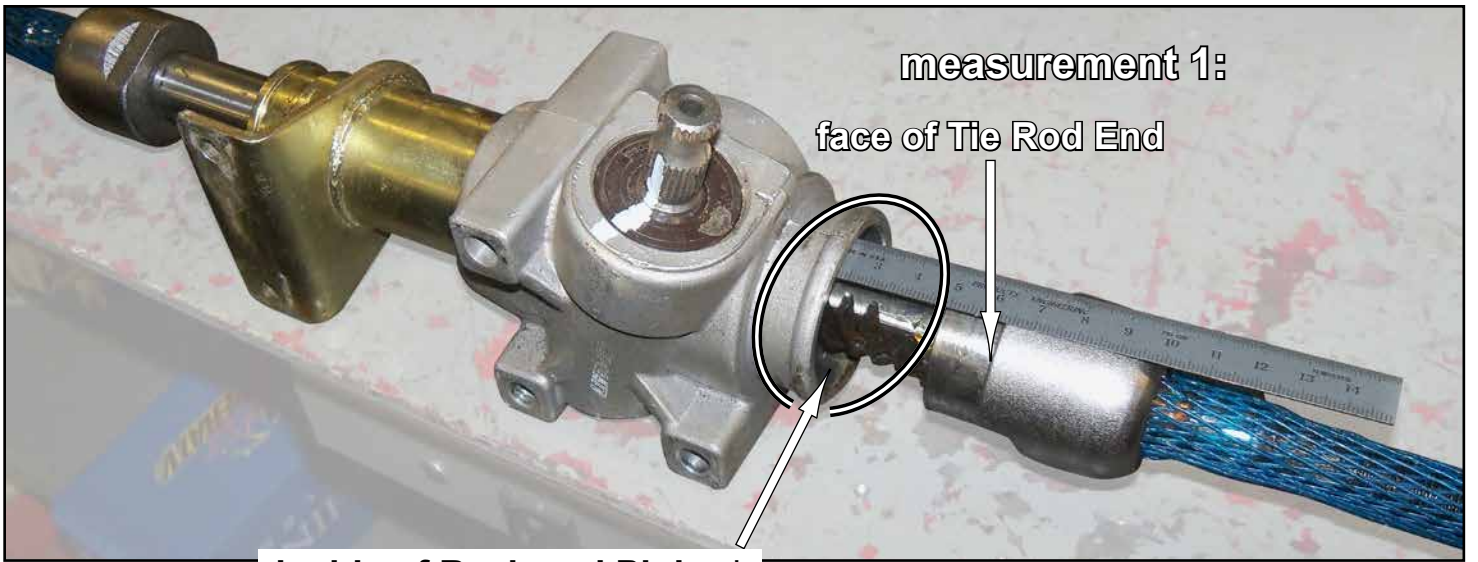


Verify, and adjust if necessary, centering of Rack and Pinion before installing.

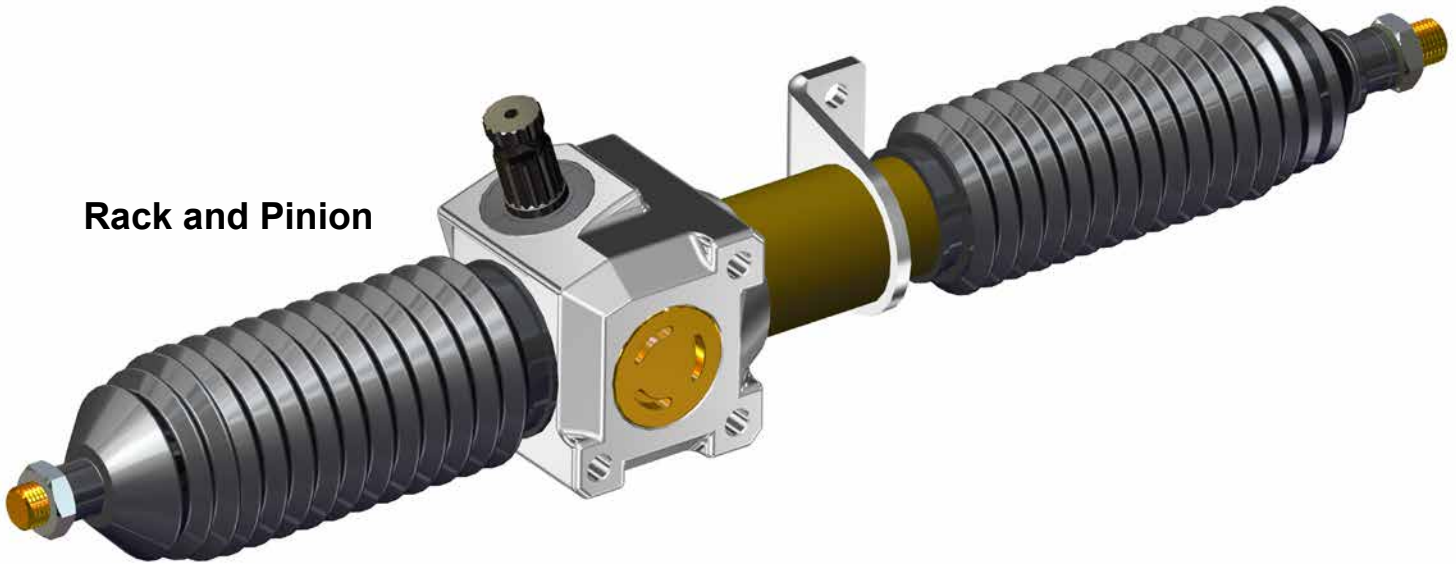


1. Measure distance from inside of Rack and Pinion to face of Tie Rod End.
 2. Measure distance from face of Tie Rod End to housing face.
 3. Adjust Rack and Pinion until measurements are equal.
- Mark center.

(illustrations on following page)

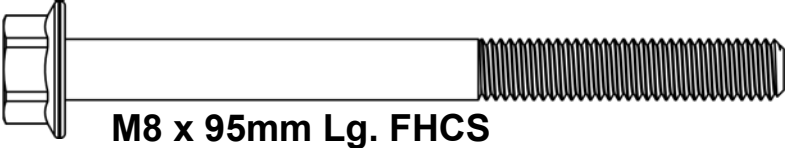


Rack and Pinion



Qty (5)  **M8 Nylock Nut, Flange**

Qty (2)  **M8 x 20mm Lg. FHCS**

Qty (3)  **M8 x 95mm Lg. FHCS**

Read instructions and view illustrations before beginning.

Need help with your installation?

 sales@superatv.com  www.superatv.com

 1-812-574-7777  8:00am - 9:00pm EST M-Th
8:00am - 7:00pm EST Friday
9:00am - 2:00pm EST Saturday

*Thank You
For Choosing*



Liability Statement

SuperATV's[®] products are designed to best fit user's ATV/UTV under stock conditions. Adding, modifying, or fabricating any factory or aftermarket parts will void any warranty provided by SuperATV[®] and is not recommended. SuperATV's[®] products could interfere with other aftermarket accessories. If user has aftermarket products on machine, contact SuperATV[®] to verify that they will work together.

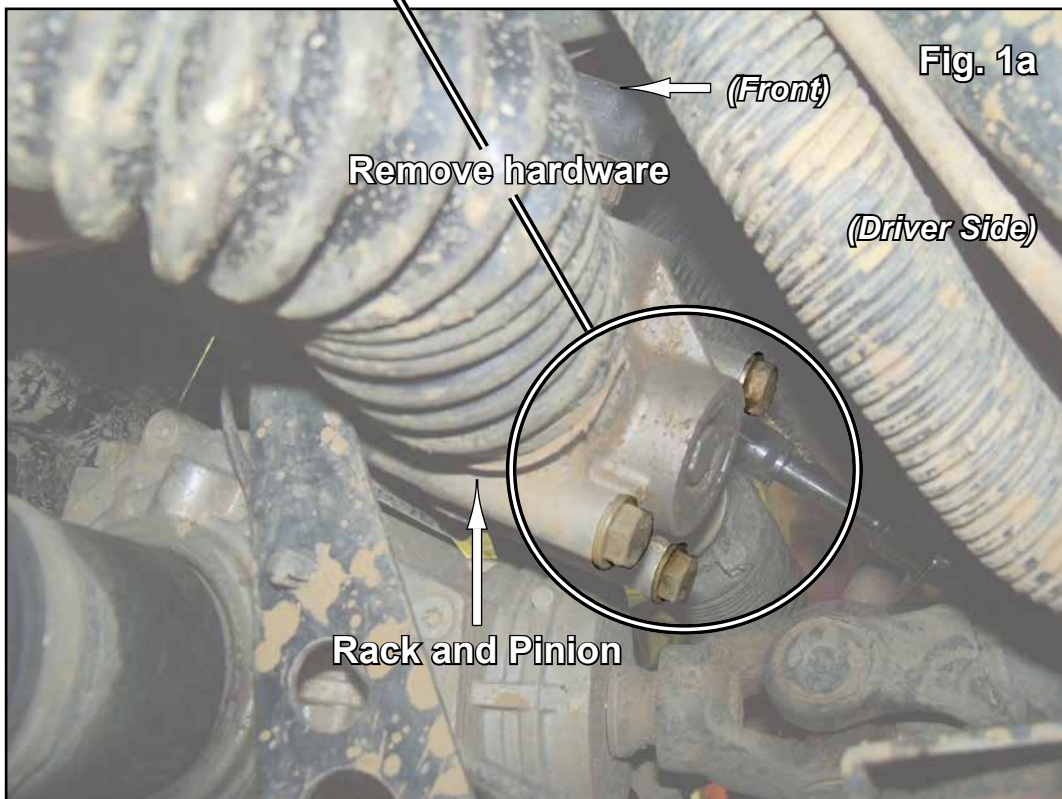
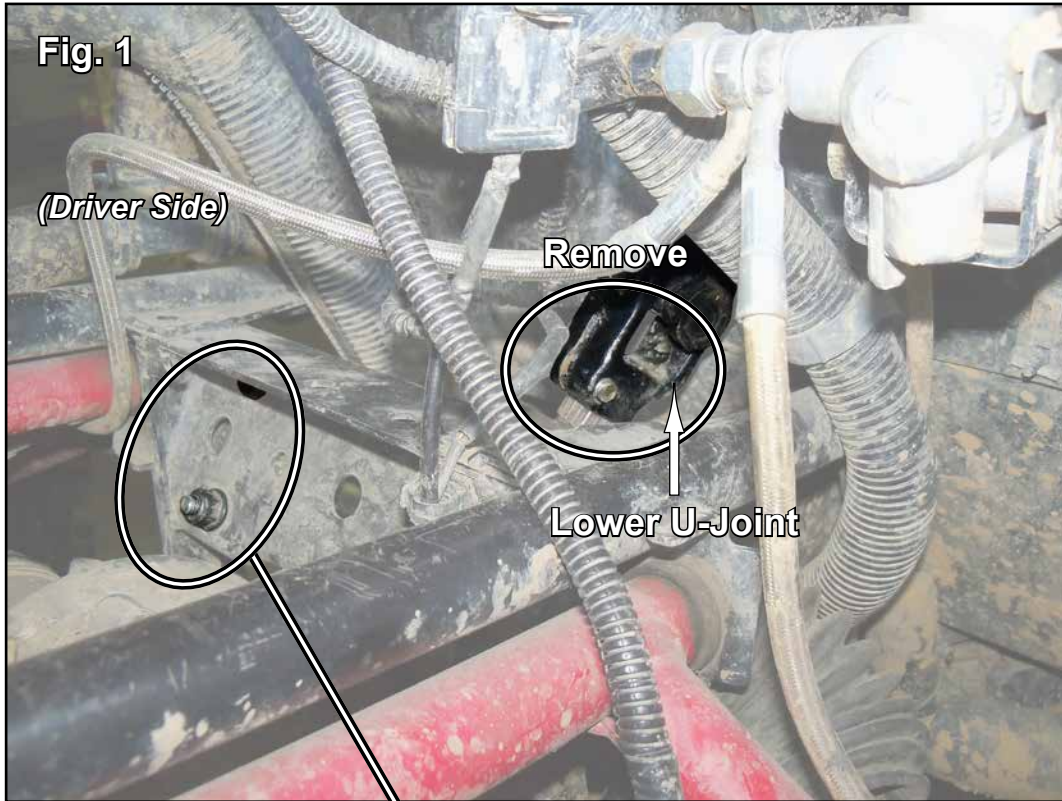
Although SuperATV[®] has thousands of satisfied customers, user should be aware that installing lift kits, long travel, or suspension kits, tires, etc. will change the ride of machine and may increase maintenance and part wear. Operating any off-road machine while, or after, consuming alcohol and/or drugs increases risk of bodily harm or death. No warranty or representation is made as to this product's ability to protect user from severe injury or death. SuperATV[®] urges operators and occupants to wear a helmet and appropriate riding gear at all times.

By purchasing and installing SuperATV[®] products, user agrees that should damages occur, SuperATV[®] will not be held responsible for loss of time, use, labor fees, replacement parts, or freight charges. SuperATV[®], nor any 3rd party, will not be held responsible for any direct, indirect, incidental, special, or consequential damages that result from any product purchased from SuperATV[®]. The total liability of seller to user for all damages, losses, and causes of action, if any, shall not exceed the total purchase price paid for the product that gave rise to the claim.

SuperATV[®] will warranty only parts provided by SuperATV[®]. Any damage or problems with OEM housings, bearings, seals, or other manufacturers' products will not be covered by SuperATV[®]. SuperATV[®] parts and products are not warrantied if item was not installed properly, misused, or modified.

Rack and Pinion Removal: Keep all hardware and components removed.

1. Raise front of vehicle and secure with jack stands. Remove Wheels.
- Remove Tie Rods from Spindles and Rack and Pinion.
2. Remove hardware from Lower U-Joint. See Fig. 1.
3. Remove hardware from stock Rack and Pinion. See Figs. 1 - 3.
4. Proceed to "Rack and Pinion Installation".



Rack and Pinion Installation: *Do not tighten hardware completely unless noted.*

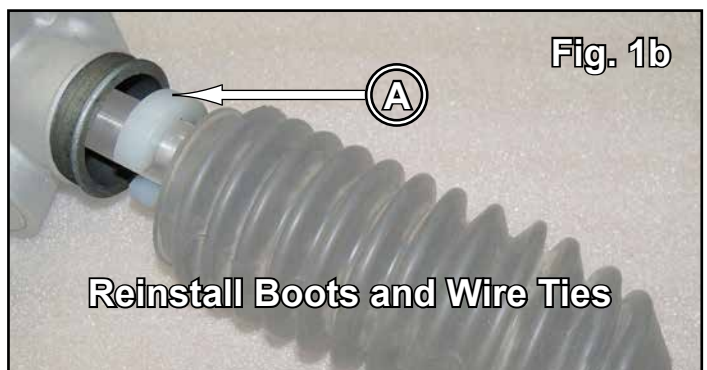
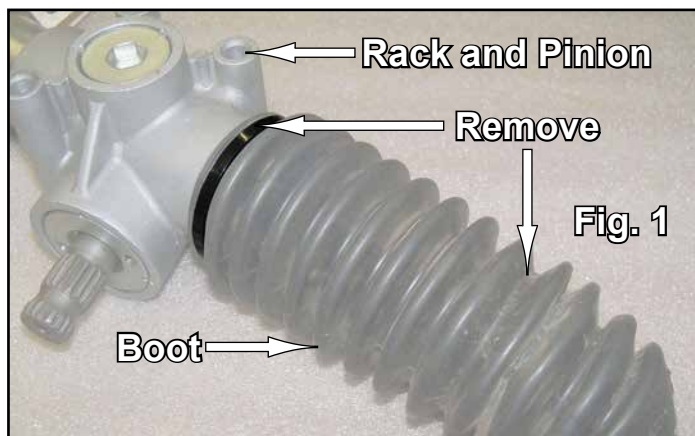
1. Install optional Steering Stop Kit or continue to Step 2.
2. Install Rack and Pinion to machine with M8-1.25 x 20mm Lg. FHCS, M8-1.25 x 95mm Lg. FHCS, and M8-1.25 Nylock Nuts. Tighten hardware completely. See Fig. 2.
3. Reinstall Steering Shaft to Rack and Pinion with stock hardware. See Fig. 3.
4. Proceed to "Tie Rod Installation".
5. Reinstall necessary components.
 - Before initial ride, set toe-in of vehicle.
 - After initial ride check to see that hardware remained tight.

Using Steering Stop Kit will prevent over extension of Axles, when in reverse under hard throttle, by limiting steering range.

OPTIONAL STEERING STOP KIT

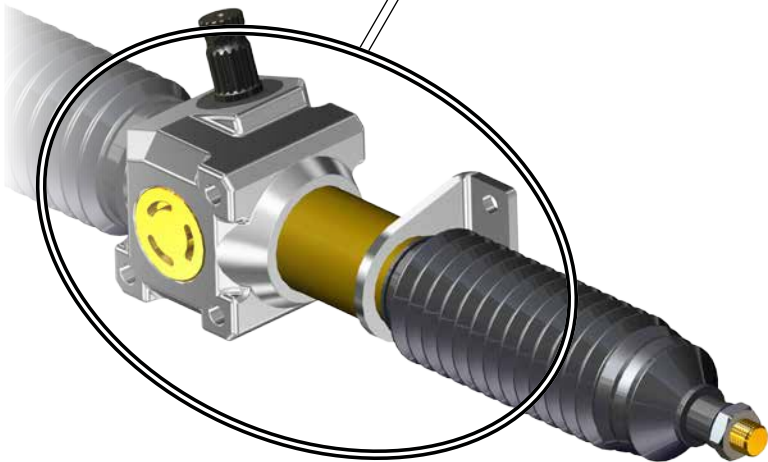
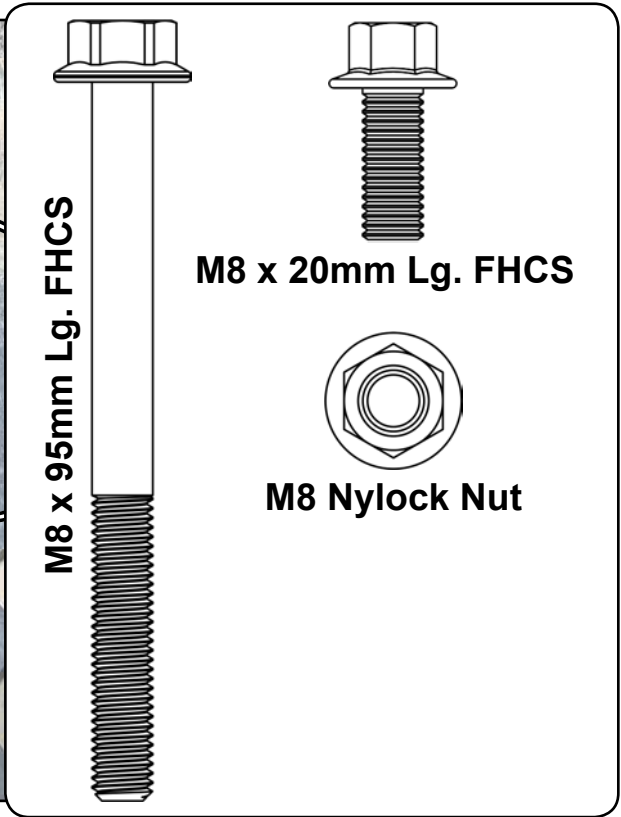
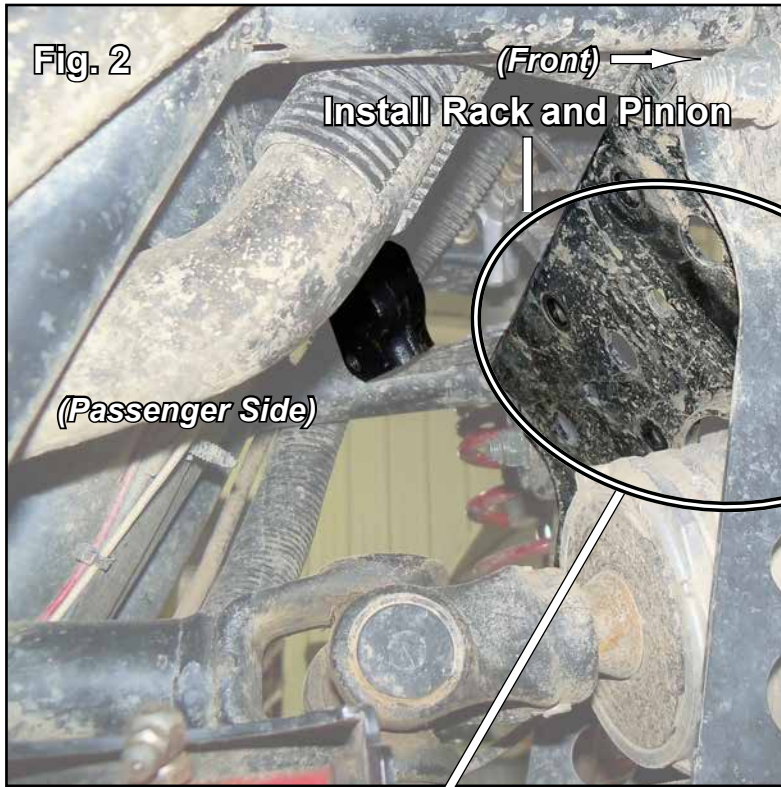
- *Driver Side installation shown.*

1. Remove Wire Ties and Boots from Rack and Pinion. See Fig. 1.
2. Install Steering Stop Bushings (A) onto Shafts. See Figs. 1a - 1b.
3. Reinstall Boots and secure with Wire Ties.



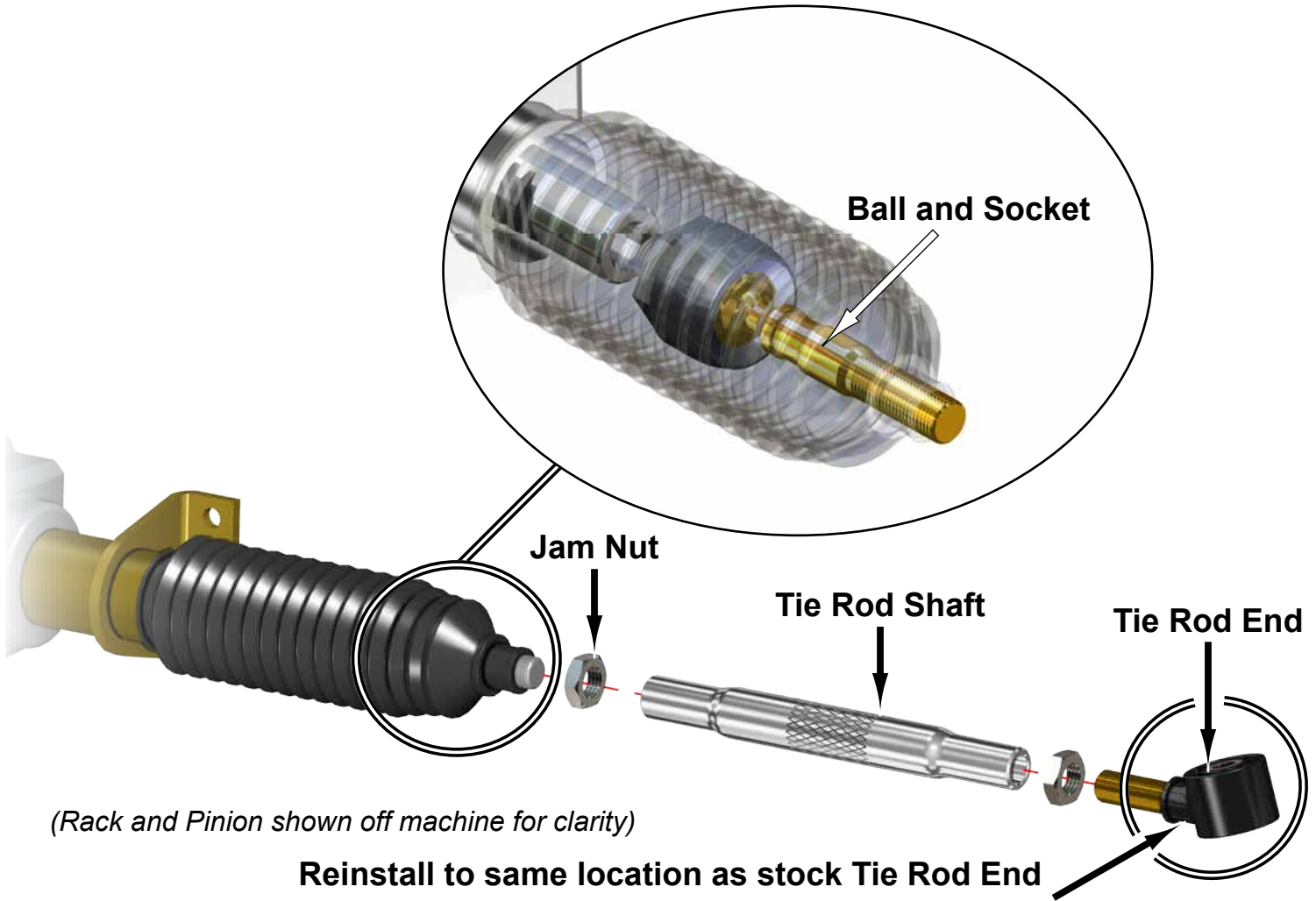
(installation illustrations continue on following pages)

(Rack and Pinion installation illustrations)



Tie Rod Installation:

- Install Tie Rod Shafts to Ball and Sockets.
- Install Tie Rod Ends and Jam Nuts to Tie Rod Shafts.
- Secure Tie Rod Ends to Spindles with applicable hardware.



(Rack and Pinion shown off machine for clarity)

Reinstall to same location as stock Tie Rod End and secure to with provided hardware.

